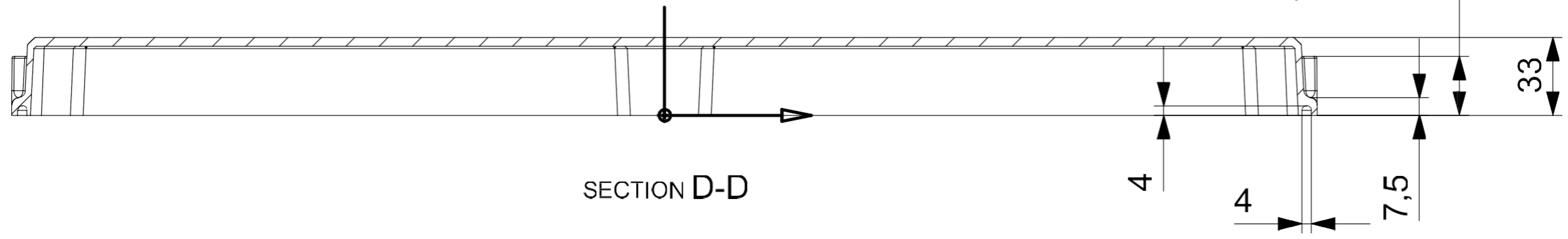
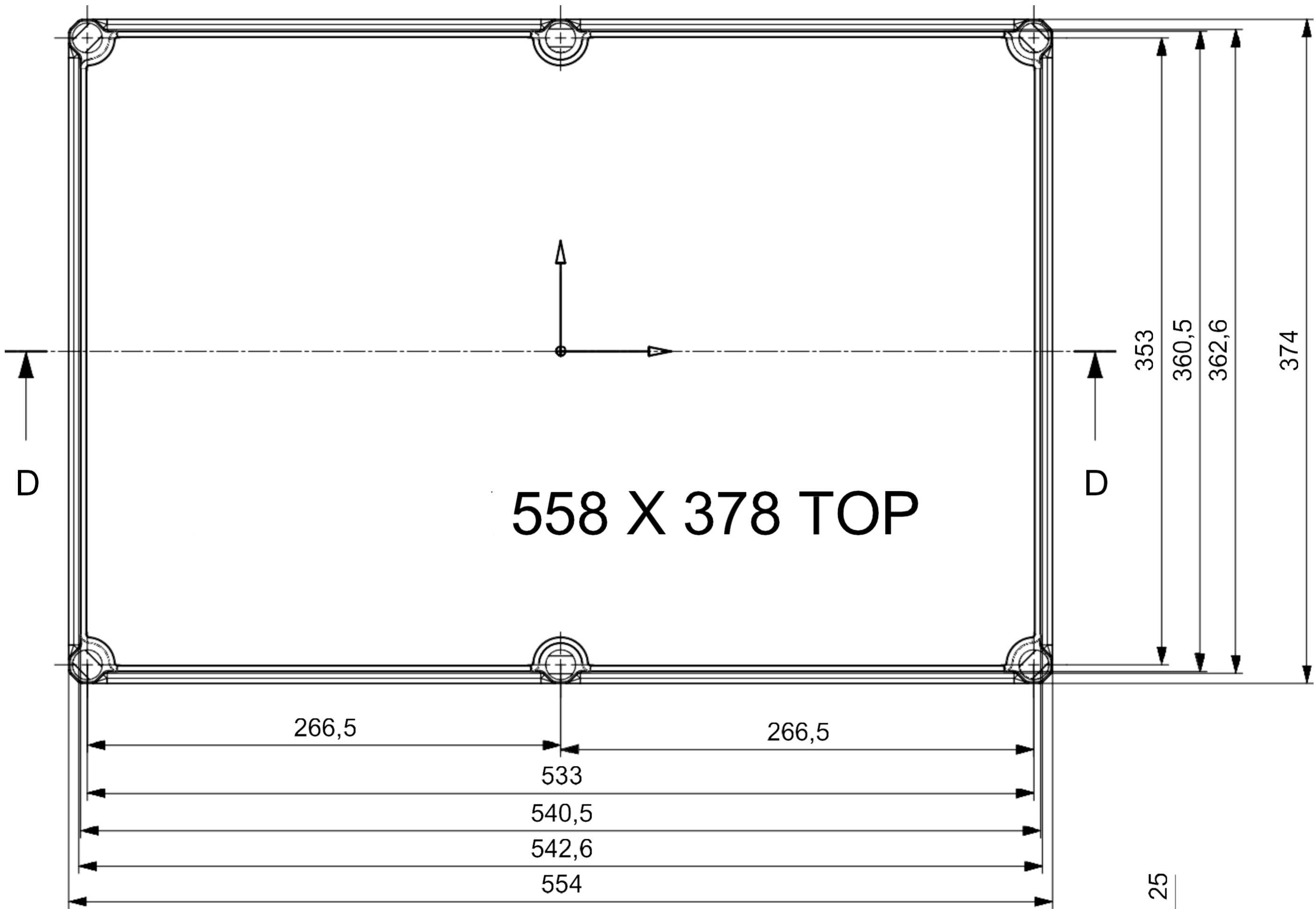


## DATA SHEET

<b>PRODUECT NAME :</b>	<b>560X380X180</b>	
<b>HIGHT X WIDTH X DEPTH</b>	<b>560x380x180</b>	<b>560x380x180</b>
<b>MATERIAL</b>	<b>ABS</b>	<b>ABS/POLYCARBONATE</b>
<b>BASE COLOR</b>	<b>GRAY</b>	<b>GRAY</b>
<b>COVER COLOR</b>	<b>GRAY</b>	<b>TRANSPARENT</b>
<b>COVER SCREW MATERIAL</b>	<b>NYLON</b>	<b>NYLON</b>
<b>COVER SCREW COLOR</b>	<b>BLUE</b>	<b>BLUE</b>
<b>GASKET MATERIAL</b>	<b>SILICONE</b>	<b>SILICON</b>
<b>TECHNICAL INFORMATION</b>		
<b>RATING</b>		
<b>INGREES PROTECTION</b>	<b>IP67</b>	<b>IP67</b>
<b>IMPACT RESISTANCE</b>		
<b>WALL THICKNESS</b>		

DATA SHEET



# DATA SHEET

