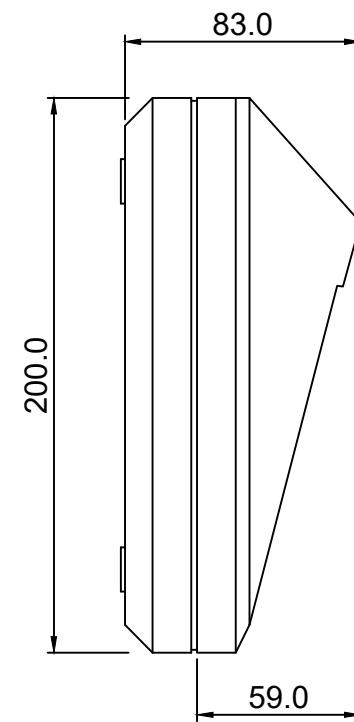
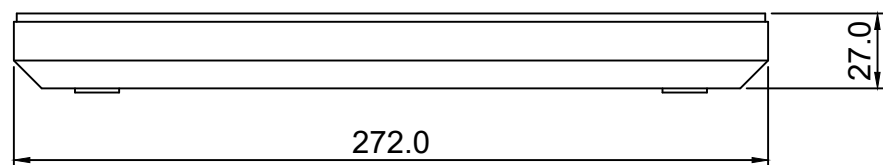


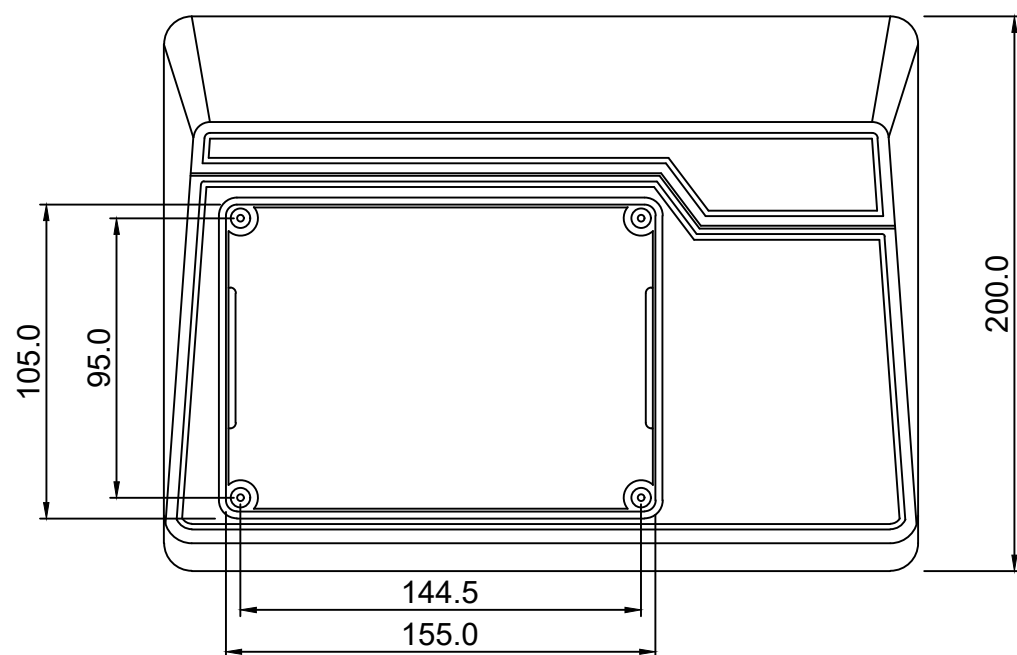
FRONT VIEW (BASE)



SIDE VIEW (ASEMBLED)



BOTTOM VIEW (BASE)



FRONT VIEW (LID)

| SR.NO. | DESCRIPTION | MATERIAL SPECIFICATION | MATERIAL DETAILS | QTY. |
|------------------|-------------|------------------------|------------------|------|
| BILL OF MATERIAL | | | | |



VK ENTERPRISES

#31 No. 136, Sanakki Bayalu, Ganapthi temple road Kullegowda Industrial Estate, Bengaluru - 560079
 Email1 : sales@vkenterprises.tech
 Email2 : bangalore.vkenterprises@gmail.com
 Website: www.vkenterprises.tech
 Mobile : 7019042196

| | | | | | |
|---|----------------|----------|------|------------|------------|
| TITLE- DESK TYPE ENCLOSURE MODEL : DEE184 | SCALE - | DRAWN | NAME | DATE | SHEET SIZE |
| | VIEW- | | NPS | 11.09.2020 | |
| DRAWING NO.- | SHEET 01 OF 01 | CHKD | | | A3 |
| | | APPROVED | | | |